

COUPLERS AND DRAWGEAR





Customers





Services

- **CNC Machining – All types**
 - **Pressing and Straightening**
 - **Fabrication by qualified welders using the latest MIG and TIG welding equipment**
 - **Magnetic Particle, Ultrasonic and Radiographic inspection**
 - **Stress Relieving, Air and Inert Atmosphere Normalising, Tempering and Quenching**
 - **Hot Wash De-Greasing, Shot and Sand Blasting**
 - **Dipping, Hand Painting, Spray Painting, Heated Drying**
 - **Collision Damage Repairs, Fault Finding and Clash Testing**
-



Accreditations and Approvals

- ISO 9001:2008 Quality Management System Standard
 - Certificate number: LRQ 0851253
 - ISO 14001:2004 Environmental Management System Standard
 - Certificate number: LRQ 4003564
 - BS OHSAS 18001:2007 Occupational Health & Safety Management System
 - Certificate number: LRQ 4005915
 - EN 15085-2, Certification Level CL1
 - Certificate number: TÜVNORD/15085/CL1/167/0A4/13
 - Deutsche Bahn
 - IRIS
-



Facilities



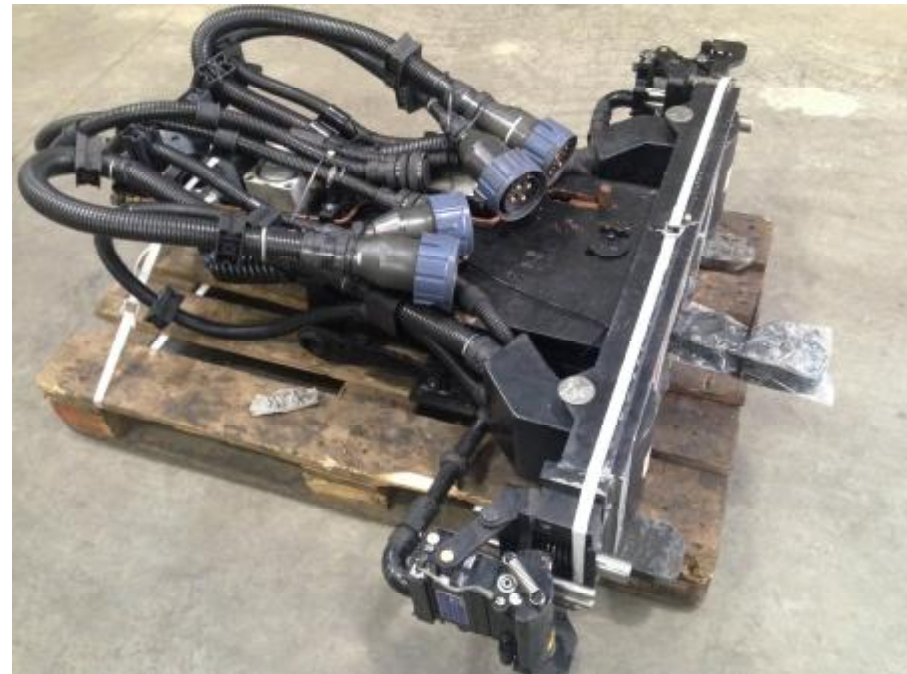


Refurbishment

Overhauled Cab-End Wedgelock Coupler (Jubilee Line)



Repaired Intermediate Wedgelock Coupler with contact boxes and TBTC Boxes (Northern Line)





Maintenance and overhaul of Tightlock couplings – Govia Thameslink

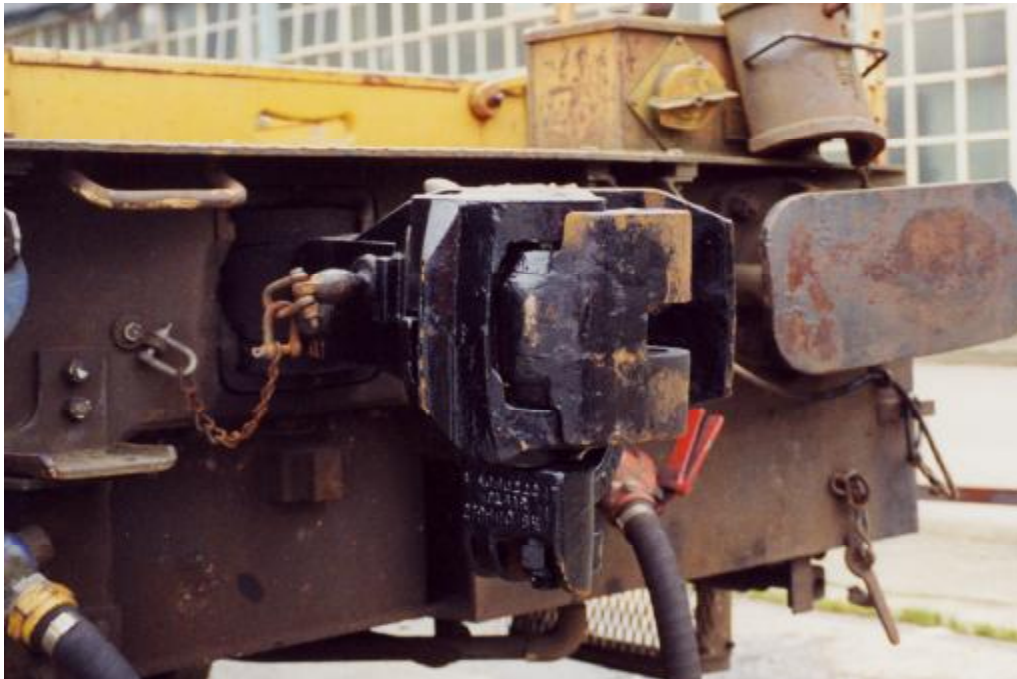
BEFORE



AFTER



Repair and refurbishment of Drophead Buckeye Couplers for Tubelines



Repair and refurbishment of Combination Wagon Couplers for DB Schenker





Maintenance and refurbishment of ancillary electrical equipment



Jumpers, Uncoupler Switches, Contact Boxes, Drum Switches and HVAC units



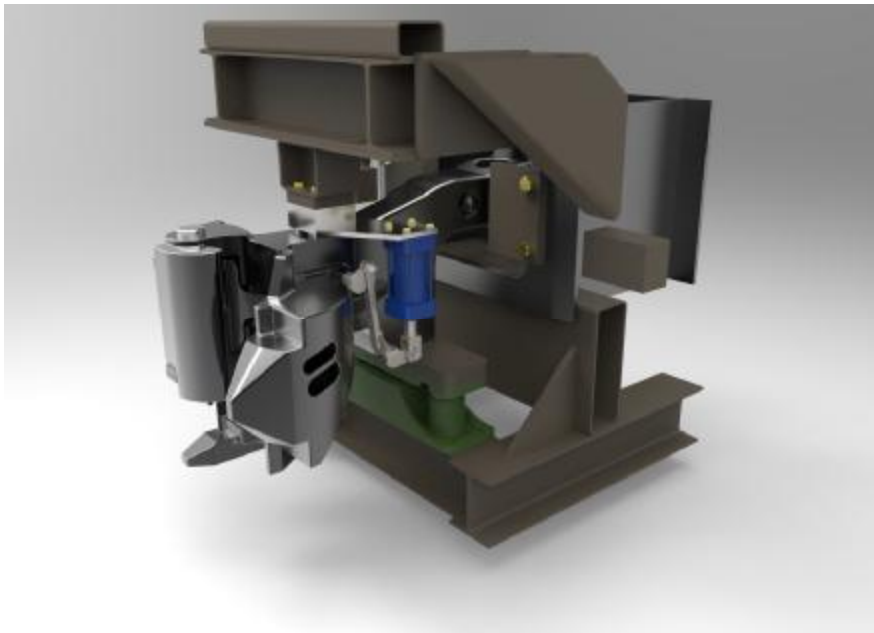
New Manufacture

Wedgelock Couplers (LUL Central Line)

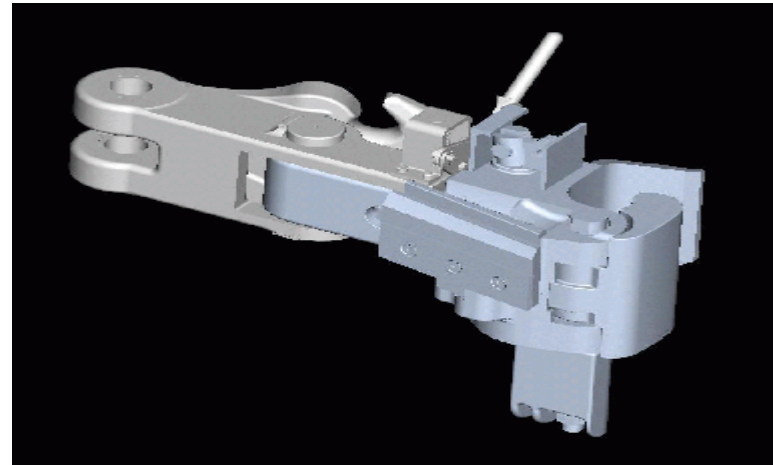
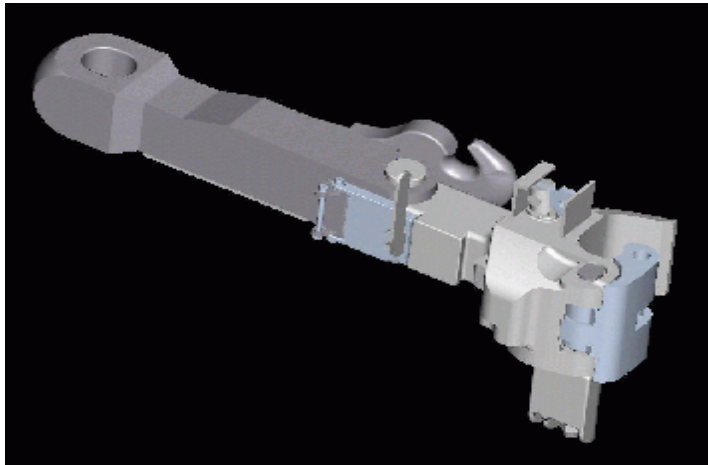




Tightlock Couplers – Locomotive and EMU Passenger



Wagon and Locomotive Combination Couplers





Torpedo Car Couplers and Drawgear





Semi Permanent Bar Couplers





Clash Testing





Ancillary Replacement Parts

